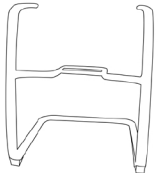





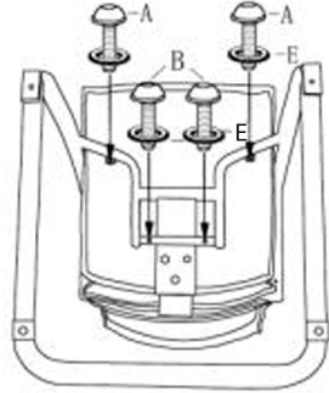


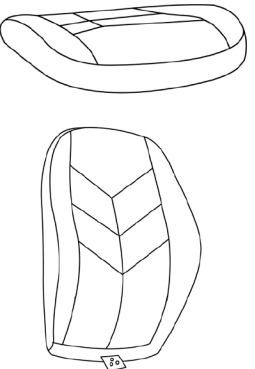




ASSEMBLY INSTRUCTIONS - LOD 90



Cantilevered Base	Screws		
	<p>(A)  (B) </p> <p>(C)  (D) </p> <p>(E) </p>	<p>① Attach Seat</p> 	
<p>Seat And Back</p>	<p>(F)  (G) </p>		
	<p>A) 2 1 1/8"</p> <p>B) 2 1 3/4"</p> <p>C) 3 3/4"</p> <p>D) 3 Large Washer</p> <p>E) 4 Small Washer</p> <p>F) 1 Long Allen Wrench</p> <p>G) 1 Short Allen Wrench</p>	<p>② Attach Back</p> 